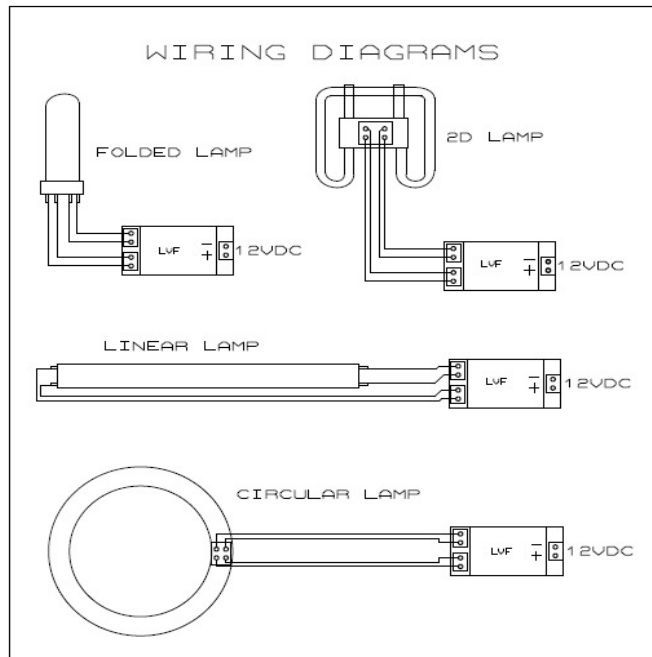


MED Electronics Low Voltage Fluorescents

Using LVF Ballast Part No 12VDC7WB thro 12VDC18WB to convert any regular mains ballast to 12VDC operation

- 1 Purchase a 110V or 230V mains fluorescent light fitting in the range 7W to 18W. (Modern fittings use HF electronic ballast, so look for a conventional magnetic ballast which will be a lot cheaper)
- 2 Remove case cover, to reveal mains ballast and starter.
- 3 Remove both ballast and starter after cutting the wires.
- 4 There should now be four wires left, two to each end of the lamp
- 5 Fix 12V electronic ballast, chosen to match rating of lamp 7W to 18W about the same place as one you've just taken out.
Get one here <http://www.med-electronics.co.uk/LVF/index.htm>
- 6 Connect this ballast to the lamp as shown in diagrams below.
- 7 Connect your 12VDC feed as shown, all done
- 8 The mains components are not needed anymore and can be sold on eBay



MED Electronics Price List 2011

Ballast Part Number	Power Rating	Price GBP		
		x1	5x	10x
HF Electronic Ballast				
12VDC7WB	6W to 7W	10.96	52.06	101.38
12VDC9WB	8W to 9W	11.34	53.87	104.90
12VDC11W	10W to 11W	11.74	55.77	108.60
12VDC13WB	12W to 13W	12.13	57.62	112.20
12VDC16W	14W to 16W	12.71	60.37	117.57
12VDC18W	17W to 18W	13.10	62.23	121.18

Mixed quantity discounts will apply to all items

Shipping is at cost to all Eurozone countries, includes Turkey and Russia

Rest Of World by 'AirSure' UK Royal Mail

Manufactured in UK for World wide delivery. LVF, Low Voltage Fluorescents. Low Voltage DC input Electronic Fluorescent Ballasts, 12V Ballast Inverter, DC Fluorescent Ballast Inverters for Battery Operation.